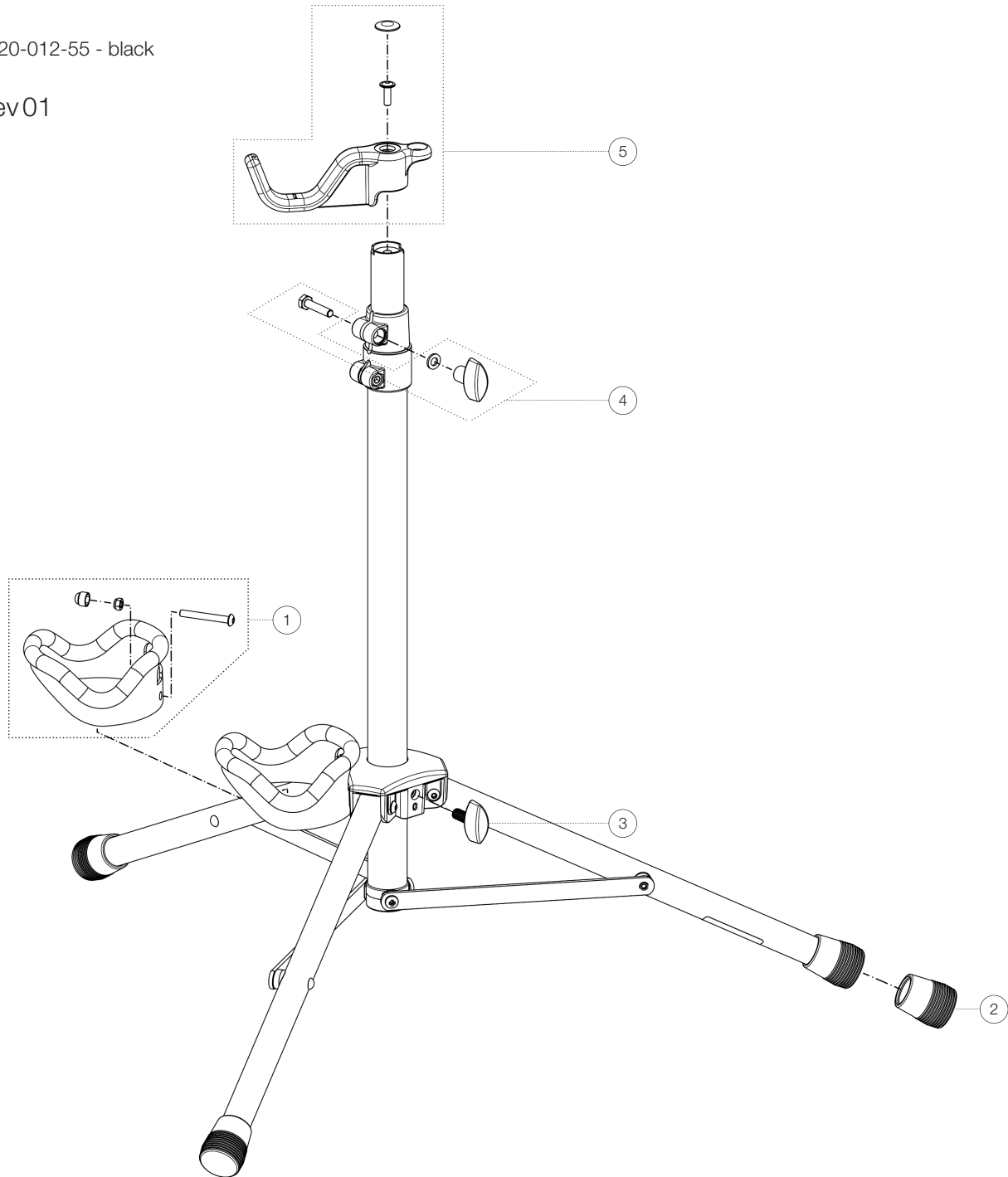


Spare parts list

# 149/2 Tenor horn stand

14920-012-55 - black

\*Rev01



Position	Description	Article No.	Quantity
1	Support cradle including screw connection	3-00-000-076	1
2	End cap	01-84-730-55	3
3	Clamping screw M8 x 19 mm	01-83-100-55	1
4	Screw connection	3-00-000-068	1
5	Hanger including screw connection	3-00-000-075	1