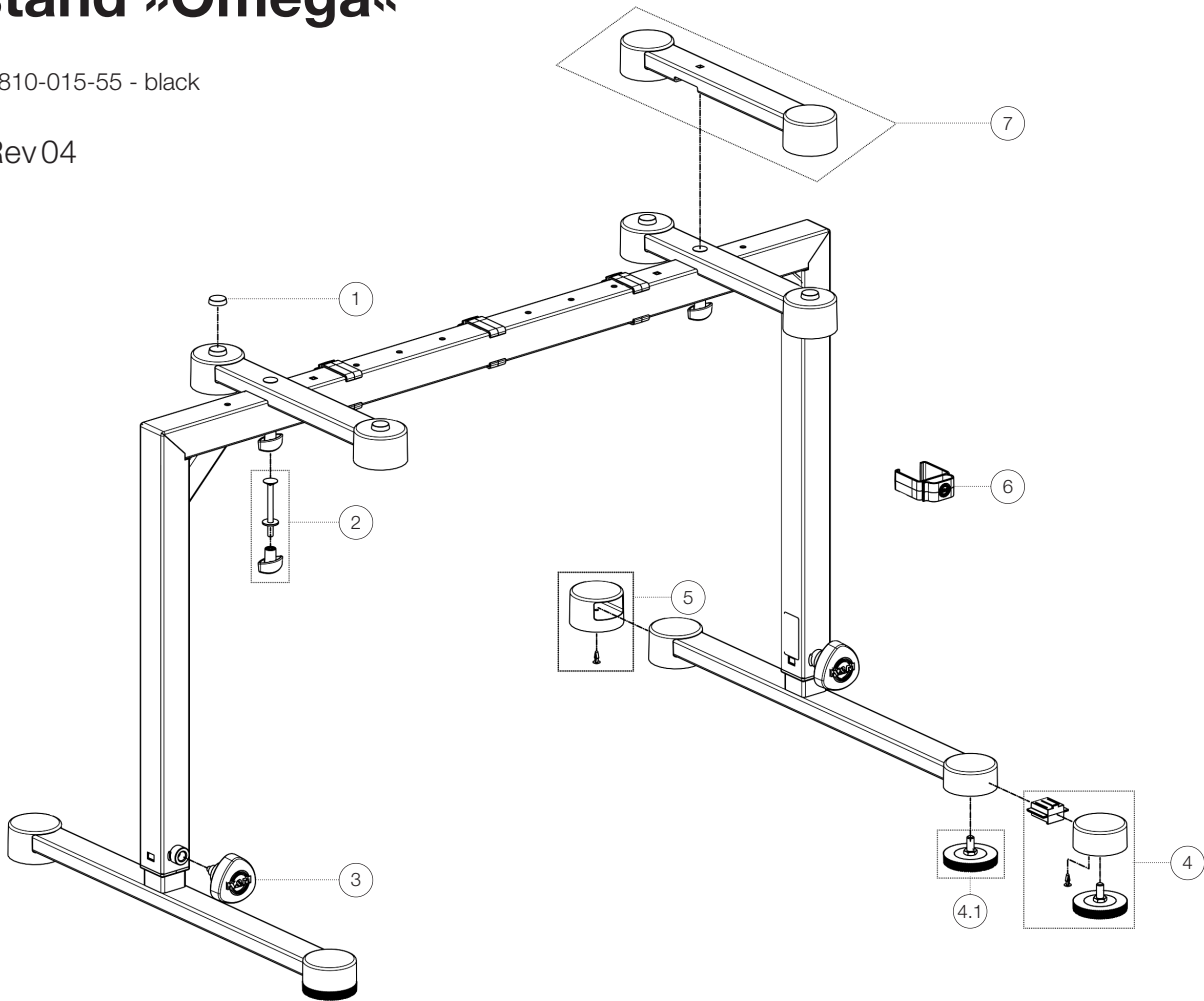


Spare parts list

# 18810 Table-style keyboard stand »Omega«

18810-015-55 - black

\*Rev04



Position	Description	Article No.	Quantity
1	Bump on $\varnothing 20 \times 5$ mm (set of 4)	01-09-019-55	1
2	Screw connection of the support	3-00-000-119	2
3	Spring-loaded clamping knob complete with logo	6-18810-2-55	2
4	Levelling end cap complete	3-00-000-127	2
4.1	Adjustment plate complete	6-18810-6-55	2
5	End cap with blind rivet	3-00-000-044	6
6	Cable clamp for »Omega« (set of 2)	18809-000-55	2
7	Support tube	6-18810-4-55	2