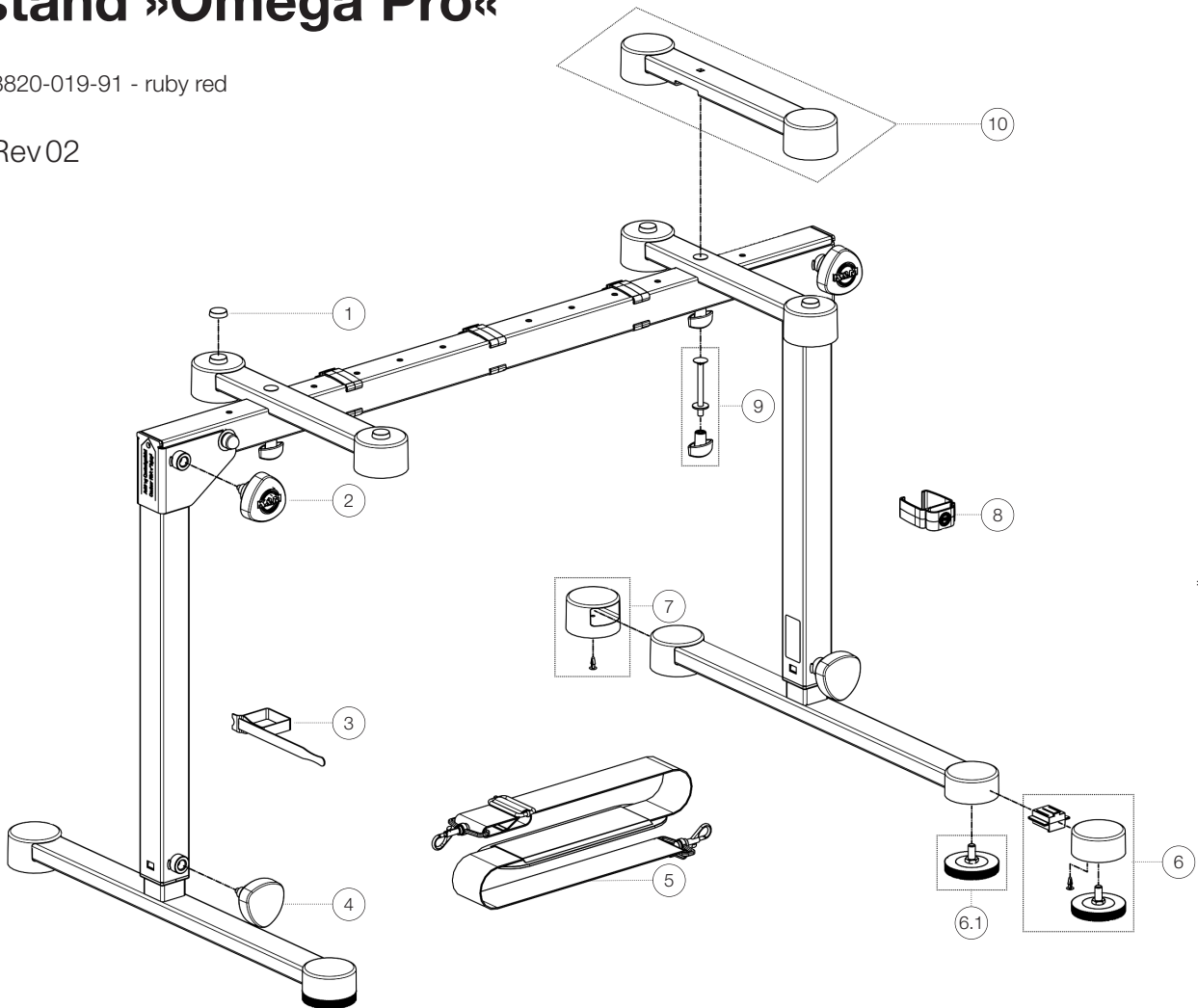


Spare parts list

18820 Table-style keyboard stand »Omega Pro«

18820-019-91 - ruby red

*Rev02



Position	Description	Article No.	Quantity
1	Bumpon ø 20 x 5 mm (set of 4)	01-09-019-55	1
2	Spring-loaded clamping knob complete with logo	6-18810-2-55	2
3	One-Wrap-Strap 20 x 330 mm	03-22-770-55	4
4	Spring-loaded clamping knob complete	6-18810-1-55	2
5	Carrying strap	03-76-530-55	1
6	Levelling end cap complete	3-00-000-127	2
6.1	Adjustment plate complete	6-18810-6-55	2
7	End cap with blind rivet	3-00-000-044	6
8	Cable clamp for »Omega« (set of 2)	18809-000-55	2
9	Screw connection of the support	3-00-000-119	2
10	Support tube	6-18810-4-91	2