

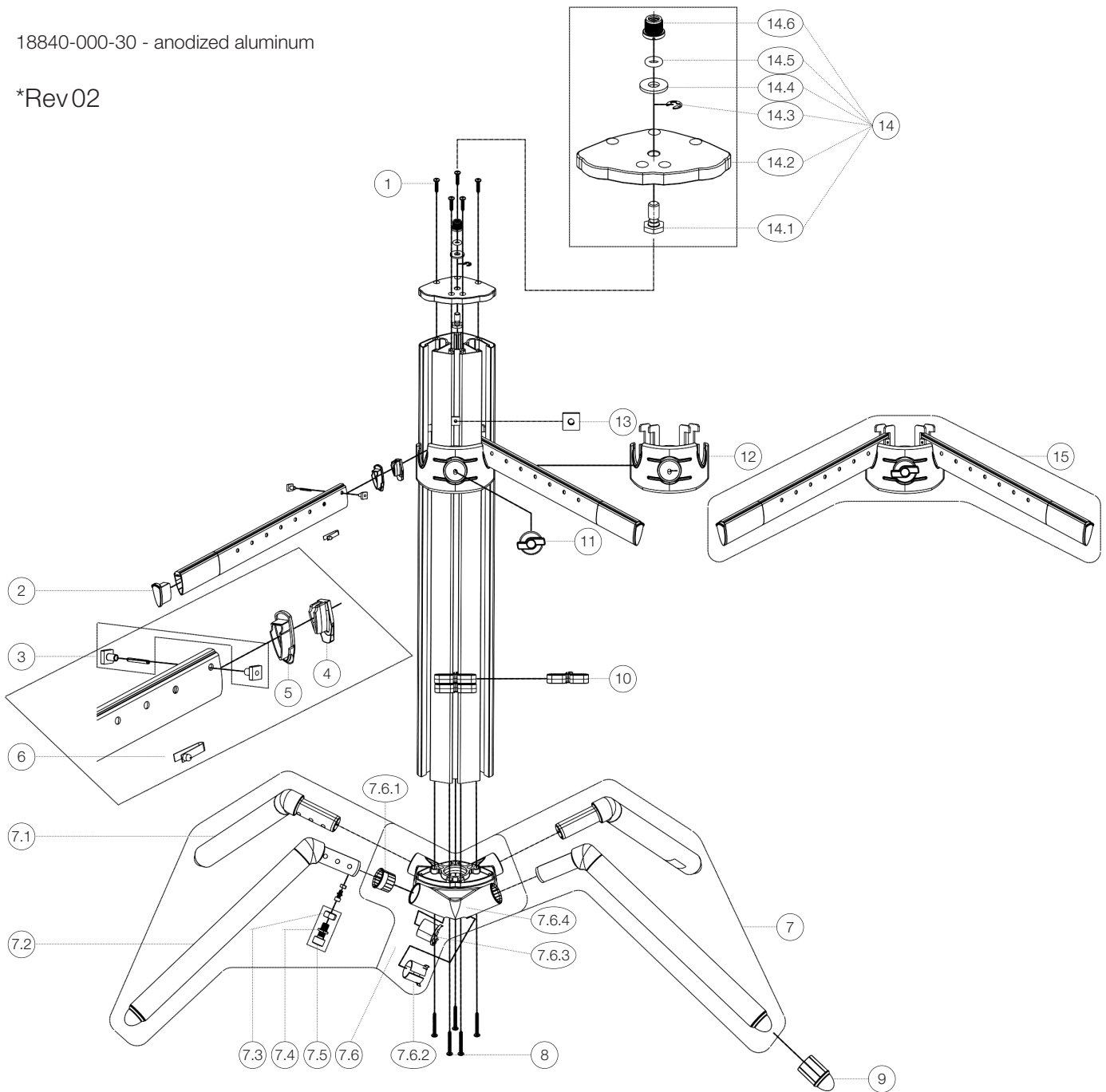
Spare parts list

18840 Keyboard stand

»Baby-Spider Pro«

18840-000-30 - anodized aluminum

*Rev02



Spare parts list

18840 Keyboard stand

»Baby-Spider Pro«

18840-000-30 - anodized aluminum

*Rev02

Position	Description	Article No.	Quantity
1	Self-tapping screw ø 5.4 x 25 mm	3-18860-0021	5
2	Glider for straight support arm	3-18860-0015	2
3	Clamping sleeve and square bearing	3-18860-0016	2
4	Adjusting cap for straight arm	3-18860-0012	2
5	End glider for support arm	3-18860-0013	2
6	Locking bolt with spring complete	3-18860-0014	2
7	Foot base/socket with feet complete, consisting of:	3-18860-0002	1
7.1	Foot short complete	3-18860-0011	2
7.2	Foot long complete	3-18860-0010	2
7.3	Hexagon nut M6	03-08-320-29	4
7.4	Spring washer ø 6 mm	03-12-120-00	4
7.5	Allen screw M6 x 16 mm	03-02-210-29	4
7.6	Foot base/socket complete with bushings, consisting of:	3-18860-0009	1
7.6.1	Guide bushing outside	3-18860-0008	4
7.6.2	Guide bushing front/inside	3-18860-0006	2
7.6.3	Guide bushing rear/inside	3-18860-0007	2
7.6.4	Foot base/socket	3-18860-0005	1
8	Self-tapping screw ø 5.4 x 45 mm	3-18860-0004	5
9	End cap	3-18860-0033	4
10	Cable holder	18867-000-55	2
11	Clamping screw M6	3-18860-0022	1
12	Sliding carriage	3-18860-0023	1
13	Square nut M6	3-18860-0024	1
14	Cover with threaded bolt complete, consisting of:	3-18860-0020	1
14.1	Hexagon threaded bolt	3-18860-0018	1
14.2	Cover without threaded bolt	3-18860-0019	1
14.3	Locking washer	03-12-610-00	1
14.4	Washer ø 10.5 mm	03-11-630-25	1
14.5	Rubber washer	03-21-120-55	1
14.6	Thread adapter, 3/8" female thread, 5/8" male thread	85040-000-55	1
15	Support arm set A	18865-000-30	1