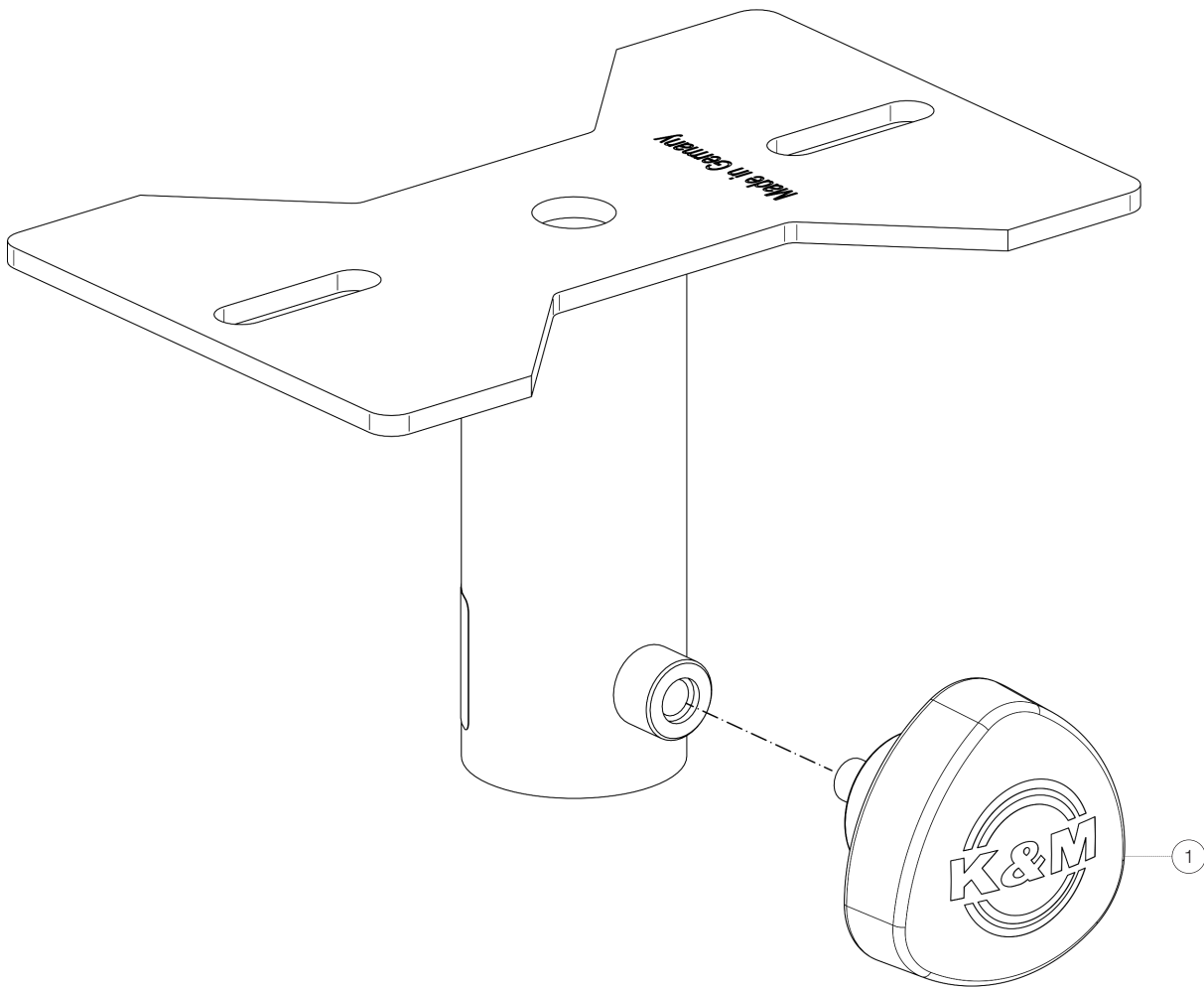


Spare parts list

# 19580 Mounting adapter

19580-000-76 - pure white

\*Rev01



Position	Description	Article No.	Quantity
1	Clamping screw with logo M8 x 16/33 mm	01-82-763-57	1