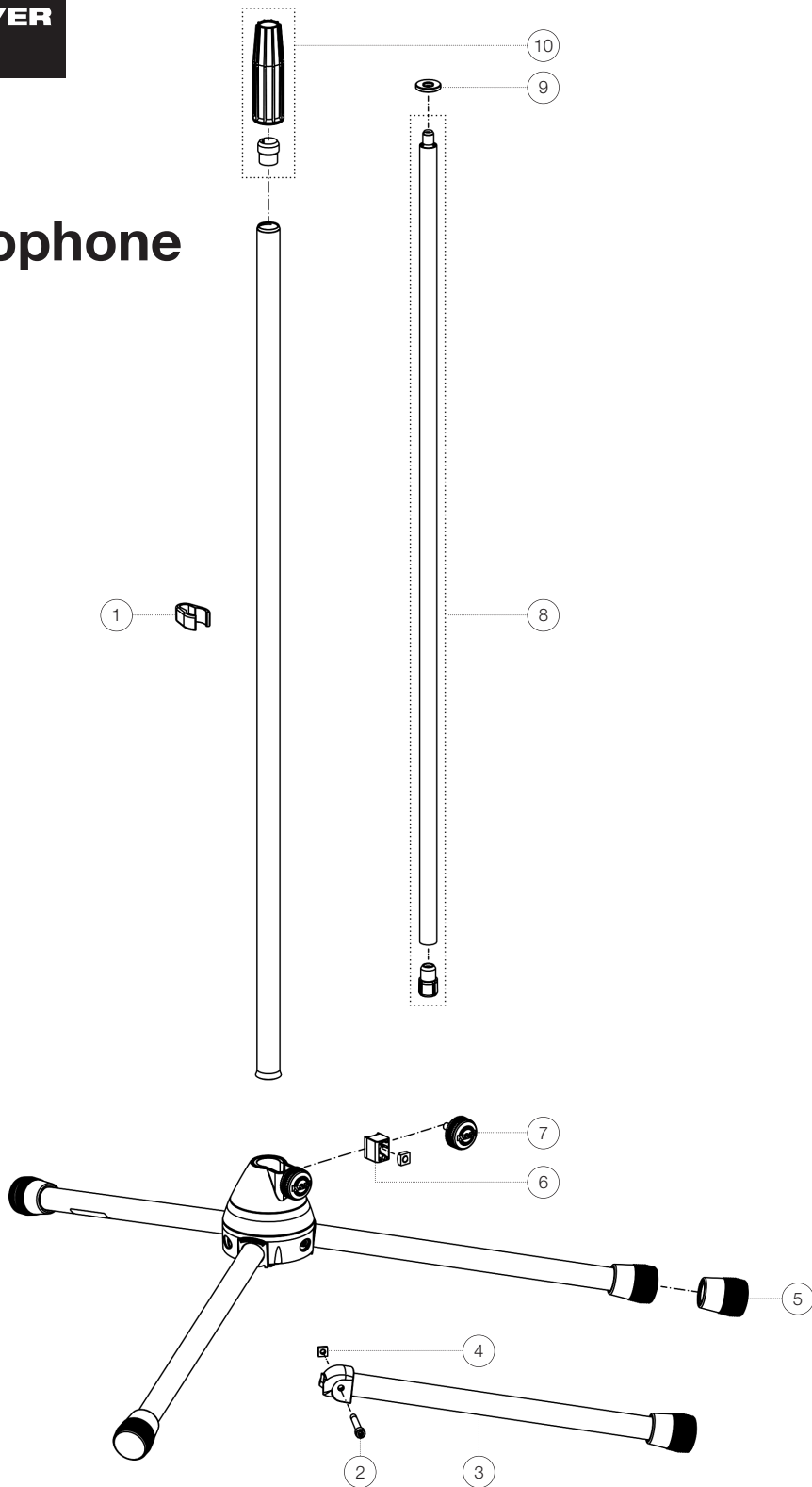


Spare parts list

# 201A/2 Microphone stand

20130-300-02 - chrome

\*Rev05



Position	Description	Article No.	Quantity
1	Cable holder	01-85-970-55	1
2	Cylinder head screw M5 x 36 mm	03-02-176-29	3
3	Foot tube complete	6-21025-1-02	3
4	Square nut M5	03-08-210-29	3
5	End cap	01-84-980-55	3
6	Clamping piece with pin R10 complete	6-86642-1-55	1
7	Knurled screw with logo M6 x 16 mm	01-82-948-55	1
8	Extension rod, plastic stop and threaded bolt	3-00-000-086	1
9	Aluminum knurled washer	03-31-525-00	1
10	Clutch with tension ring	3-00-000-018	1