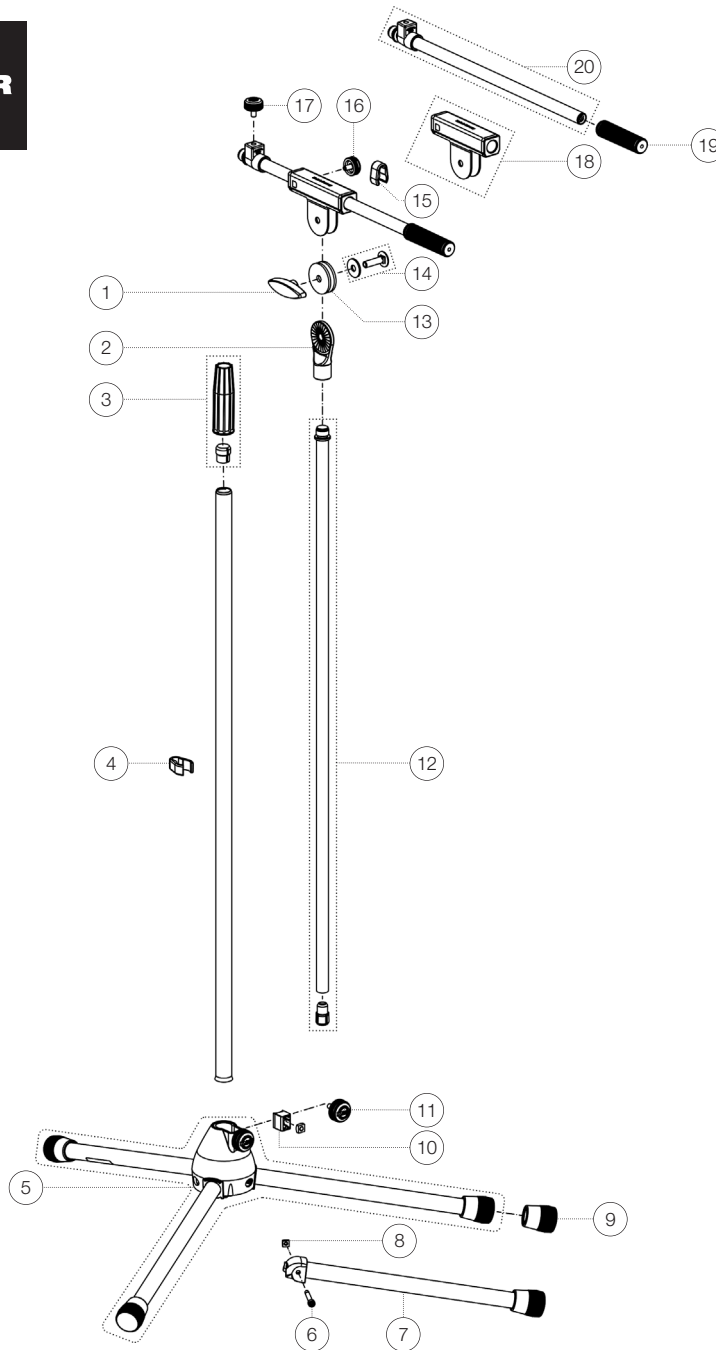


Spare parts list

210/8 Micro- phone stand

21080-500-55 - black

*Rev07



Position	Description	Article No.	Quantity
1	Clamping nut M8	01-83-981-55	1
2	Swivel head 5/8"	02-40-440-55	1
3	Clutch with tension ring	3-00-000-018	1
4	Cable holder ø 20 mm	01-85-970-55	1
5	Base with legs	3-00-000-017	1
6	Cylinder head screw M5 x 36 mm	03-02-176-29	3
7	Foot tube complete	6-21025-1-55	3
8	Square nut M5	03-08-210-29	3
9	End cap	01-84-980-55	3
10	Clamping piece with pin R10 complete	6-86642-1-55	1
11	Knurled screw with logo M6 x 16 mm	01-82-948-55	1
12	Extension tube, plastic stop and threaded bolt	3-00-000-024	1
13	Rubber washer	03-21-161-55	2
14	Screw connection boom arm	3-00-000-019	1
15	Cable holder ø 15 mm	01-85-960-55	1
16	Knurled screw with logo M6 x 12 mm	01-82-828-55	1
17	Knurled screw with logo M6 x 16 mm	01-82-834-55	1
18	Swivel joint complete	6-27105-1-55	1
19	Boom arm sleeve	01-95-845-55	1
20	Tube combination	3-00-000-147	1