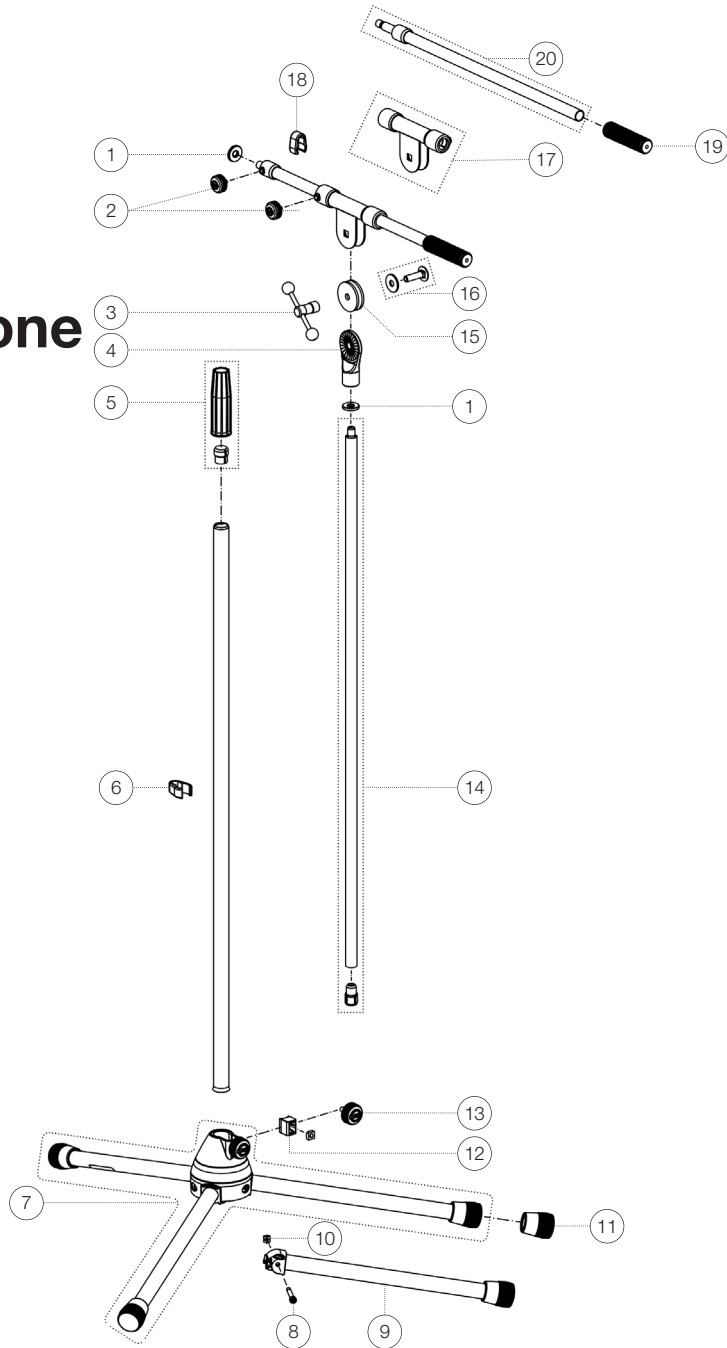


Spare parts list

210/9 Microphone stand

21090-300-02 - chrome

*Rev01



Position	Description	Article No.	Quantity
1	Aluminum knurled washer	03-31-525-00	2
2	Knurled screw with logo M6 x 12 mm	01-82-828-55	2
3	T-bar locking screw	6-30351-1-55	1
4	Swivel head 3/8"	02-40-430-55	1
5	Clutch with tension ring	3-00-000-018	1
6	Cable holder ø 20 mm	01-85-970-55	1
7	Base with legs	3-00-000-083	1
8	Cylinder head screw M5 x 36 mm	03-02-176-29	3
9	Foot tube complete	6-21025-1-02	3
10	Square nut M5	03-08-210-29	3
11	End cap	01-84-980-55	3
12	Clamping piece with pin R10 complete	6-86642-1-55	1
13	Knurled screw with logo M6 x 16 mm	01-82-948-55	1
14	Extension tube, plastic stop and threaded bolt	3-00-000-086	1
15	Rubber washer	03-21-161-55	2
16	Screw connection boom arm	3-00-000-019	1
17	Swivel joint complete	6-21110-5-55	1
18	Cable holder ø 15 mm	01-85-960-55	1
19	Boom arm sleeve	01-95-845-55	1
20	Tube combination	3-00-000-153	1