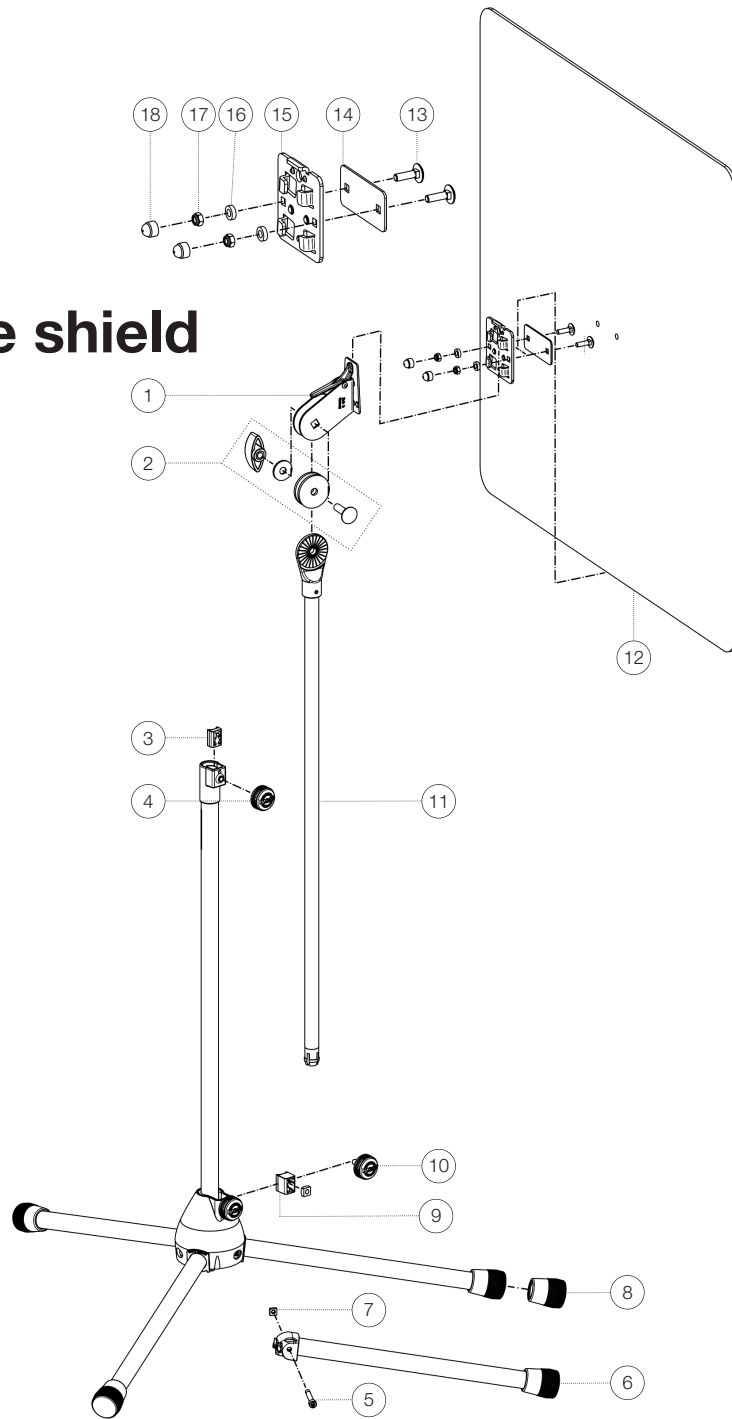


Spare parts list

11903 Protective shield with stand

11903-000-55 - black

*Rev09



Position	Description	Article No.	Quantity
1	Tilt connector with quick-release fastener complete	6-11810-5-55	1
2	Screw connection	3-00-000-065	1
3	Clamping element with pin R7.5	01-86-630-55	1
4	Knurled screw with logo M6 x 10 mm	01-82-936-55	1
5	Allen screw M5 x 36 mm	03-02-176-29	3
6	Leg tube complete	6-21025-1-55	3
7	Square nut M5	03-08-210-29	3
8	End cap	01-84-980-55	3
9	Clamping element with pin R10	6-86642-1-55	1
10	Knurled screw with logo M6 x 22 mm	01-82-948-55	1
11	Extension tube with swivel head ø 16 mm complete	6-11810-3-55	1
12	Protective shield (acrylic glass)	03-22-501-00	1
13	Carriage bolt M5 x 18 mm	03-07-128-25	2
14	Reinforcement plate	02-50-052-55	1
15	Prismatic plate	01-44-455-55	1
16	Spacer sleeve	03-11-860-55	2
17	Locking nut M5	03-08-240-29	2
18	Protective cap	03-20-405-55	2